

Installation

The TxPORT 1041 Redundant Power Supply Shelf is designed to hold either one or two power supplies conforming to industry standard Type 400 mechanics (such as TxPORT's model number 9-1000-48V-2). The shelf provides wiring from the power supply connectors to an AC power input. Fused DC output terminals are located on the rear of the shelf.

Rack mounting ears are available for installation into standard 19" or 23" racks. To install the ears onto the 1041, use the 2 tapped screw holes on

each side of the 1041. To install the 1041 into a rack, insert two screws through both the left and right mounting brackets.

The 1041 shelf has two slots accessible from the front in which the power supplies are inserted. To install the power supplies, first remove the front panel by removing the two screws. Then insert each supply through one of the two slots until the card is firmly seated to the rear connector.

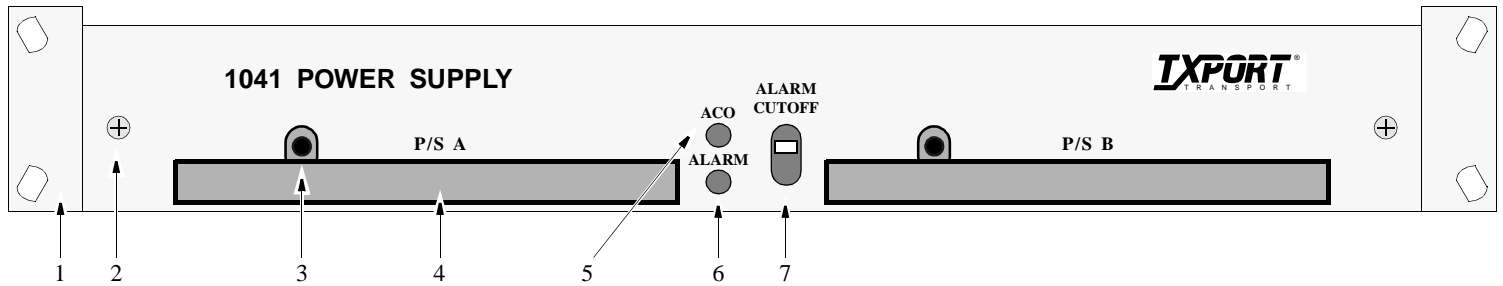
AC power is applied to the unit by inserting the power cord into a 110 V outlet. DC power is then derived from the unit by connection to the rear panel terminal strips.

WARNING: Use caution when installing or removing the power supplies. 110 volts AC is present on the inside rear circuitry.

When installing a power supply with AC power connected, the 'Alarm' LED will light for about 10 seconds while the unit stabilizes (undergoes a soft start). The green power indicator then lights if the unit is operating normally.

WARNING: When replacing one of the power supplies while in service, wait at least 10 minutes after removing the supply before replacing the new one. This prevents contact arcing of the edge connector.

Front View



1	Mounting Bracket: Rack mounting ears are available for installation into standard 19" or 23" racks.
2	Panel Screw: These two screws are used to mount the front panel to the 1041 housing.
3	Power Indicator: This green indicator lights when the 1041 power shelf has 110 VAC applied to it and operation is normal.
4	Power Supply: Power supplies 'P/S A' and 'P/S B' are inserted into these 2 openings.
5	ACO: This yellow LED lights if the Alarm Cut Off switch is placed in the upper 'ON' position, indicating that the alarm relay contacts are disabled.
6	Alarm: This red LED lights if any fuse opens or if one of the redundant power supplies fails (this can be cleared by removing the supply).
7	Alarm Cutoff: This switch controls the alarm relay contacts. If it is placed in the upper 'ON' position, the alarm relay circuitry is deactivated.

Specifications

Input Voltage:	115 VAC (± 20 V)
Output Voltage:	48 VDC (± 2 V)
Output Current:	2 A maximum, 50 mA minimum
Power Input:	113 W maximum
Heat Generation:	390 BTU
Efficiency:	80%
Alarm Contact Ratings:	1.0 A @ 220 VDC 1.0 A @ 250 VAC
Mechanical:	16.5" W, 1.625" H, 6" D 4.5 pounds with no power supplies 7 pounds with two power supplies

Ordering Numbers

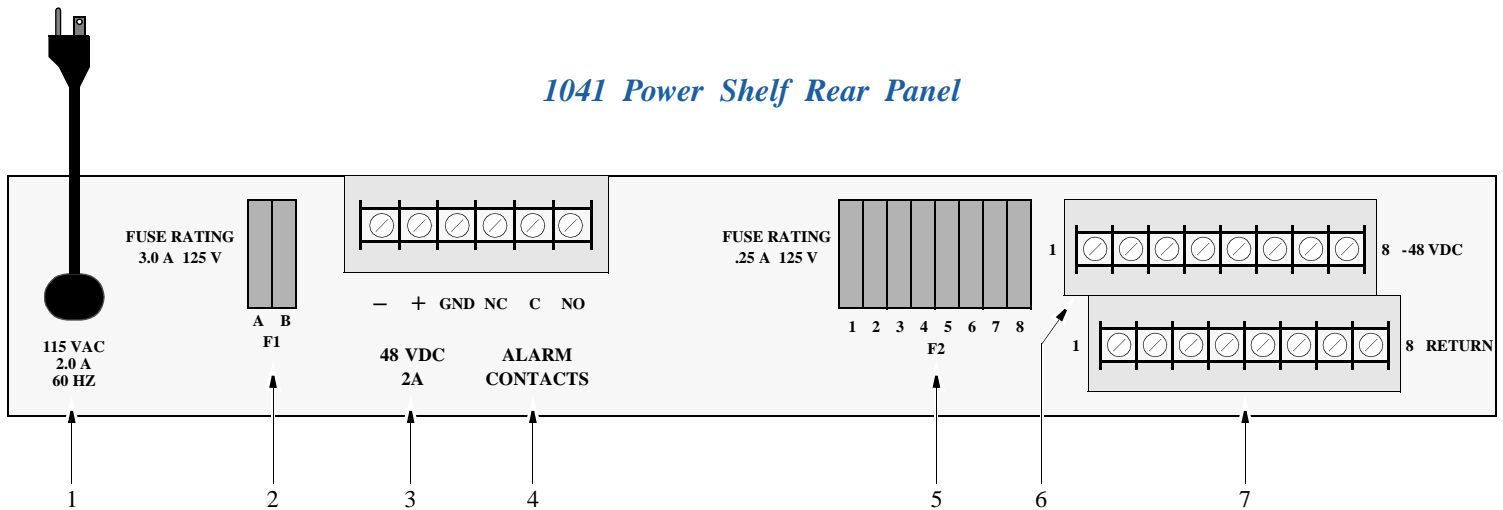
The part number for the 1041 Shelf (dual 400 plug-in shelf) without any power supplies is:

F-1041-000--110

The part number for the 48 VDC power supply is:

9-1000-48V-2

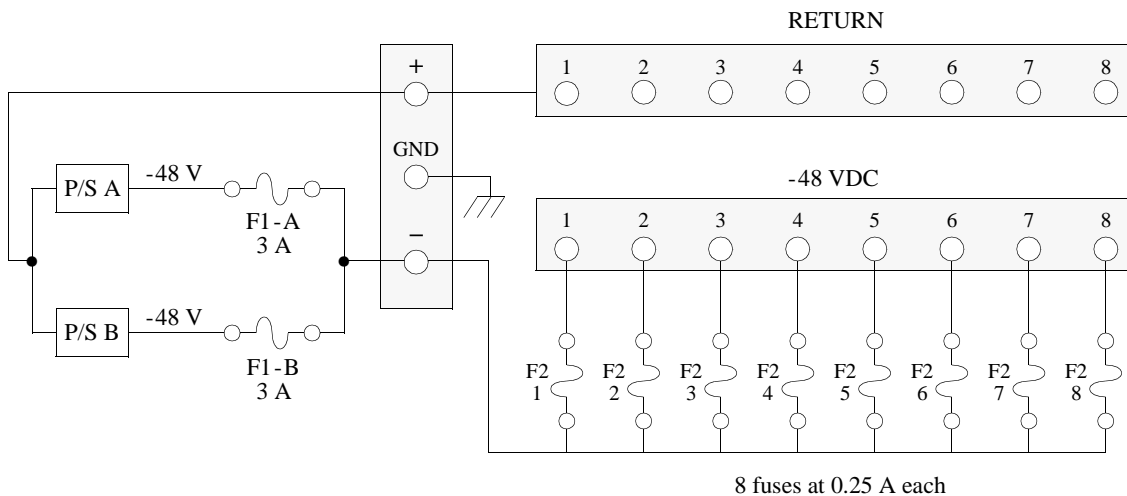
1041 Power Shelf Rear Panel



Rear Panel Description

1	AC Power Cord: This cord can be connected to any available 110 V outlet.
2	Fuse F1: Fuses A and B protect the main power feeds.
3	48 VDC: The three screw terminals on the left are used to connect a -48 VDC load to the main feeds.
4	Alarm Contacts: The three isolated contacts on the right permit connection to a remote indicating device. The contacts may be configured as normally closed (NC) or normally open (NO). NO and NC refer to the contact's relationship to the common (C) contact under a 'no alarms' condition.
5	Fuse F2: Fuses 1 through 8 protect the multiple load terminal strip with a rating of 0.25 A each.
6	-48 VDC: These 8 screw terminals are used to connect multiple 0.25 A loads to the main feeds.
7	Return: These 8 screw terminals are used as returns for the multiple feeds.

Simplified Schematic



TxPORT Customer Service
 127 Jetplex Circle
 Madison, Alabama 35758

Customer Service Returns:
 800-926-0085, ext. 227

Product Technical Support:

(8 – 5 Central Time)
 800-285-2755 or
 205-772-3770

Emergency After Hours:
 800-285-2755

E-Mail (Internet Address):
support@txport.com