

Pin #	Pinouts for C1 - C14
1	Network Out Tip - Secondary
2	Network Out Ring - Secondary
3	Network Out Tip - Primary
4	Network Out Ring - Primary
5	Equipment Out Tip - Secondary
6	Equipment Out Ring - Secondary
7	Equipment Out Tip - Primary
8	Equipment Out Ring - Primary
9	Network In Tip - Secondary
10	Network In Ring - Secondary
11	Network In Tip - Primary
12	Network In Ring - Primary
13	Equipment In Tip - Secondary
14	Equipment In Ring - Secondary
15	Equipment In Tip - Primary
16	Equipment In Ring - Primary

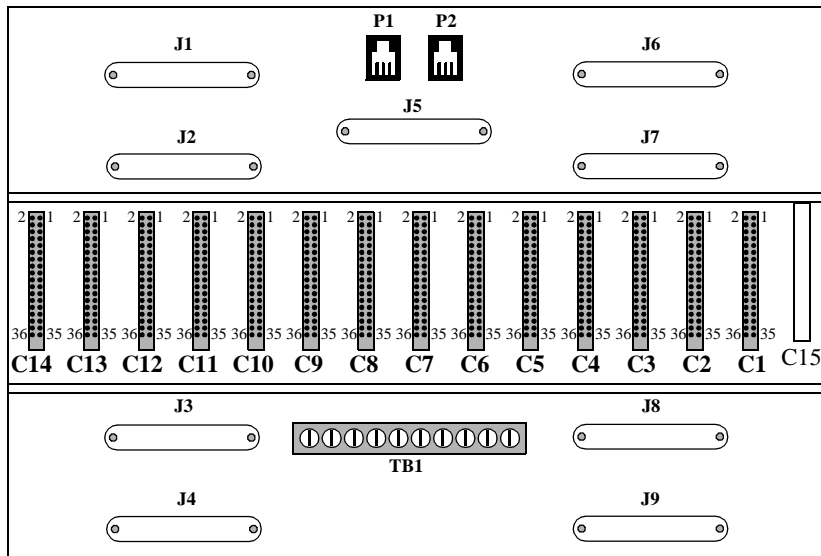
The Dual LIU Card contains user options for setting the LBO level and the sealing current. When the Dual LIU card is used in conjunction with a 1557 card, it provides the functionality of two industry standard ESF channel service units. LIU cards must be used if the APS unit is being connected to a Telco facility.

The LBO options (S2 and S4) are 3-position manual slide switches with the marked values of 0, 7.5, and 15 dB. If unsure of the exact setting, then slide to 0 dB.

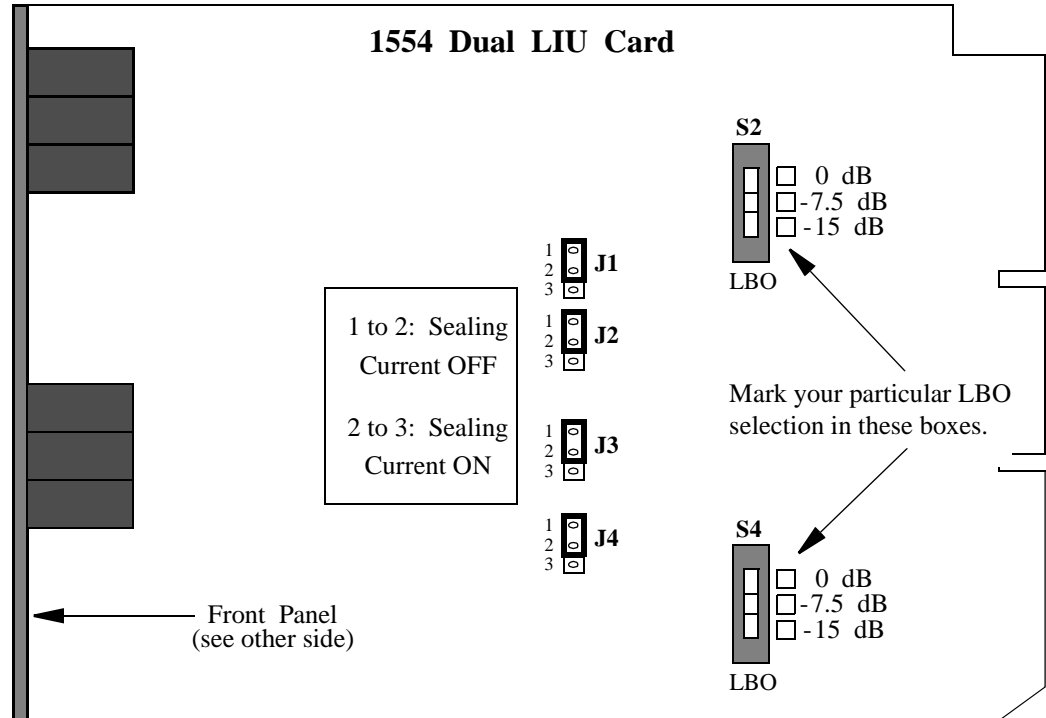


Do not option the LIU for SEALING CURRENT ON if line power is being supplied from the T1 facility to the LIU card(s). Damage to the unit can result.

Contacts:	Primary	Secondary
Name:	_____	_____
Phone:	_____	_____
Location: _____		
Date installed: _____		
Date last serviced: _____		
Slot number: _____ Chassis number: _____		
Circuit number: Line 1: _____		
Line 2: _____		



1050 Chassis Rear View



1554 Dual LIU Card



TxPORT Customer Service
127 Jetplex Circle
Madison, Alabama 35758

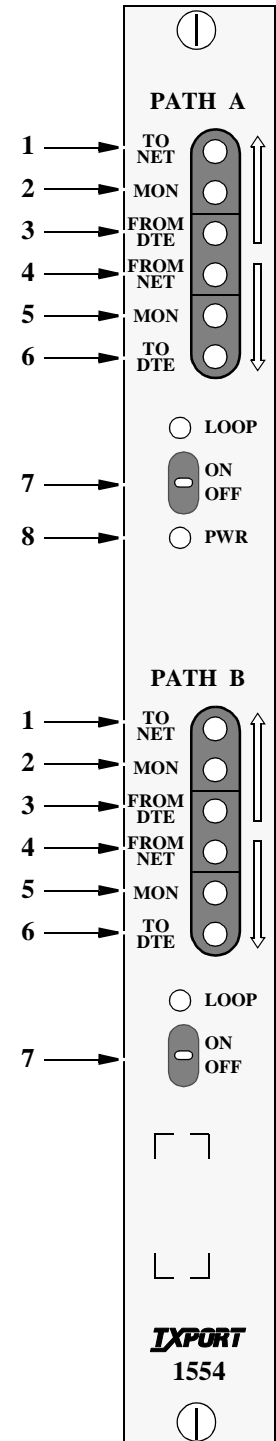
Customer Service Returns:
800-926-0085, ext. 227

Product Technical Support
(8 a.m. to 5 p.m.)
800-285-2755 or
205-772-3770, ext. 255

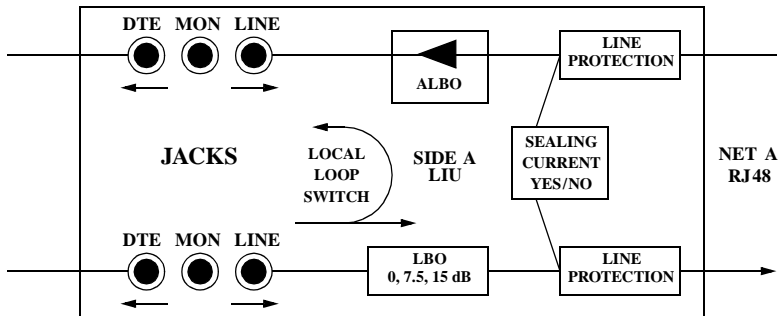
After Hours Hot Line:
205-551-7538

1554 Dual LIU Controls and Indicators

Index	Indicator	Description
1	TO NET	Jack access for output TO NETwork (opens data path from DTE).
2	MON	Jack access to MONitor data from DTE to network.
3	FROM DTE	Jack access for output FROM DTE to network (opens data path to network).
4	FROM NET	Jack access for input FROM NETwork to DTE (opens data path to DTE).
5	MON	Jack access to MONitor data from network to DTE.
6	TO DTE	Jack access for output TO DTE (opens data path from network).
7	LOOP ON/OFF	Switches looping ON/OFF (forces manual loopback to DTE).
8	POWER	Indicates that power is applied to the unit.



Front Panel Access Jacks (Side A)



Front Panel Access Jacks (Side B)

