

**PRISM 3301 Front Panel**

Item	Function
Power	This green LED illuminates when there is power to the unit and the power supply is operating normally.
Test	This amber LED illuminates when the unit is in loopback or loopup test modes.
Clock Loss	This red LED illuminates when the unit stops receiving the transmit timing clock sent by the DTE.
BPV	This red LED illuminates when a BPV rate greater than $10^{-6}$ occurs over a one second interval.
PAR ERR	This red LED illuminates when the C-bit parity error rate exceeds $10^{-6}$ for 10 minutes.
REM PAR ERR	This amber LED illuminates when the remote unit C-bit parity error rate exceeds $10^{-6}$ for 10 minutes.
TX YEL	This red LED illuminates when a yellow alarm is present.
TX AIS	This red LED illuminates when a signal is transmitted in place of the normal signal to maintain transmission continuity and to indicate to the destination terminal that there is a transmission fault at or upstream from the source terminal.
LOSS SIG	This red LED illuminates when a signal loss condition of 128 consecutive zeros is encountered.
LOSS FRM	This red LED illuminates when three errors in 16 consecutive F-bits are detected or when there is an error in the M-bit pattern in two out of three (or two out of four) consecutive M-frames.
RX YEL	This red LED illuminates when a yellow alarm is present.
RX AIS	This red LED illuminates when a signal is transmitted in place of the normal signal to maintain transmission continuity and to indicate to the destination terminal that there is a transmission fault at or upstream from the source terminal.

### Specifications

#### Network Interface

Line Rate: 44.736 Mbps ( $\pm 20$  ppm)  
 Line Framing: C-Bit parity framing  
 Line Code: B3ZS (bipolar with 3-zero substitution)  
 Line Impedance: 75  $\Omega$  (5% resistive)

#### Equipment Interface

DTE Port: High-speed Serial Interface (HSSI) 50-pin Amplimite shielded (female)  
 Data Rates: 3.16, 6.32, 12.36, 18.95, 25.26, 31.58, 37.89, and 44.21 Mbps

#### Management Interfaces

Connection: Two female 9-pin, D-type (RS-232)  
 Compatibility: EIA/TIA-574  
 Data Rates: 1.2, 2.4, 4.8, 9.6, and 19.2 kbps

#### Diagnostics

Performance: Monitoring per AT&T TR 54014  
 Alarm Report: Time, Date, and Type  
 History: 100 entries  
 Loopbacks: local line loopback, local DTE loopback, remote line loopback, and remote line loopback (far end)

#### Alarms

Activation: Enable/Disable  
 Reporting: Front panel LEDs, audible alarm, 100-message alarm queue in memory

#### Power

110 VAC: Less than 7 watts

#### Mechanical

Mounting: Desktop and vertical rack  
 Dimensions: 17" (43.18 cm) high, 1.75" (4.45 cm) wide, 12" (30.48 cm) deep  
 Weight: 6.4 pounds (2.10 kg)

#### Environmental

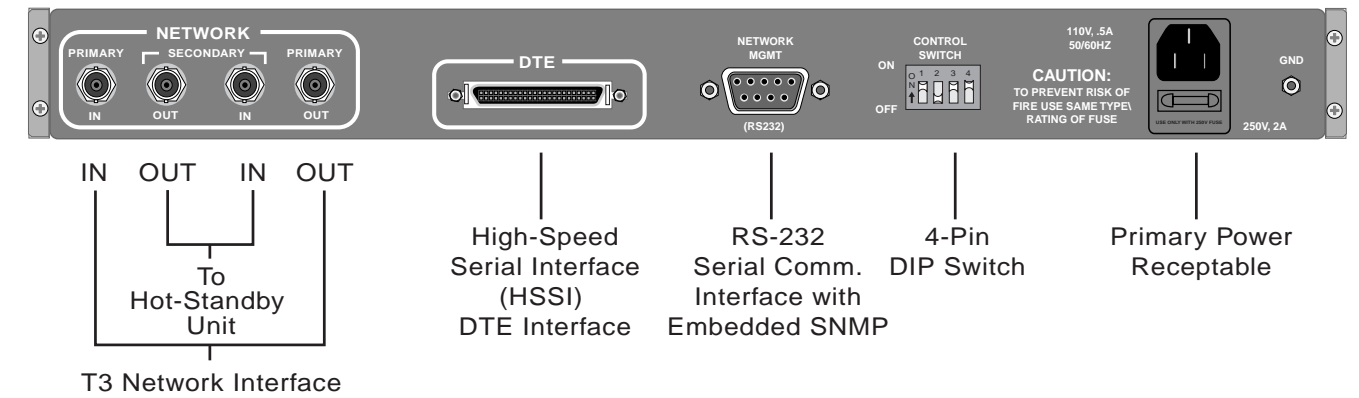
Operating Temp: 32° to 122°F (0° to 50°C)  
 Humidity: 10 to 90% (noncondensing)

#### Industry Standards

FCC Compliance: Part 15 Class A, Subpart B  
 U.S. Safety: UL 1459 2<sup>nd</sup> Edition/UL 1950 2<sup>nd</sup> Edition  
 Canadian Safety: CSA C22.2 No. 225-M90, CSA C22.2 No. 950-M89

#### Compatibility

AT&T TR 54014: May 1992



**PRISM 3301 Rear Panel**

### DTE Interface

Pin (+)	Pin (-)	Symbol	Circuit Name	Direction
1	26	SG	Signal Ground	
2	27	RT	Receive Timing	Output
3	28	CA	DCE Available	Output
4	29	RD	Receive Data	Output
5	30	LC	Loopback Circuit C	Output
6	31	ST	Send Timing	Output
7	32	SG	Signal Ground	
8	33	TA	DTE Available	Input
9	34	TT	Terminal Timing	Input
10	35	LA	Loopback Circuit A	Input
11	36	SD	Send Data	Input
12	37	LB	Loopback Circuit B	Input
12	38	SG	Signal Ground	
14-18	39-43		Reserved	
19	44	SG	Signal Ground	
20-23	45-48		Reserved	
24	49	TM	Test Mode	Output
25	50	SG	Signal Ground	

### Network Mgmt and Local Access Interfaces

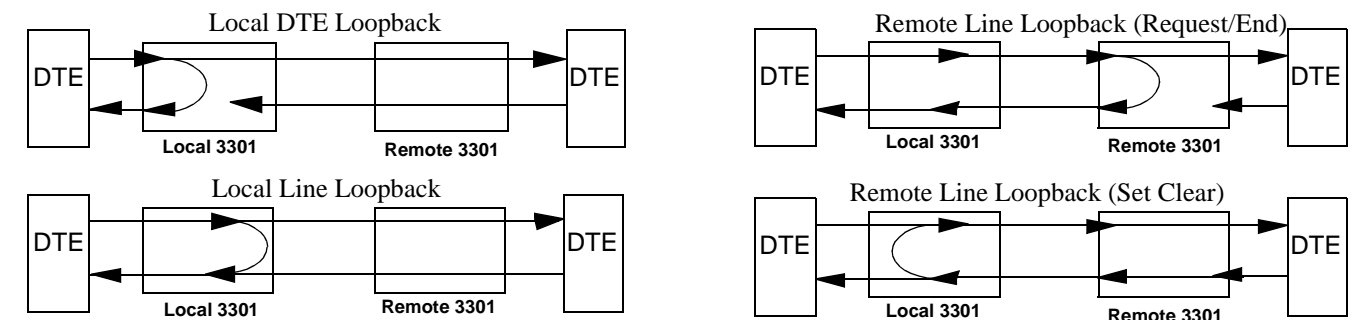
Pin	Signal	Name	Input/Output
1	DCD	Data Carrier Detect	Input
2	RD	Receive Data	Input
3	TD	Transmit Data	Output
4	DTR	Data Terminal Ready	Output
5	GND		

### Control Switch (S1)

Switch	Function	On	Off
S1-1	Power Up	Cold Reboot	Normal
S1-2	Program Mode	Flash	
S1-3	Reserved		
S1-4	Alarm Indicator	Silent	Audible

### Loops

Loopback diagrams are viewed from the local PRISM 3301



#### Sales and Marketing

888-489-7678  
 256-772-3770  
 info@txport.com

#### Technical Support

800-285-2755  
 256-772-3770  
 support@txport.com

#### Returns/RMA

888-489-7678, ext. 2282

# Command Line Menu Tree

Set	Net	LBO: 0, 150, or 300 Yellow XBIT: 0 or 1 AIS	Pattern: Blue or FAO RX-Stuffing: On or Off TX-XBIT: 0 or 1
	DTE	Rate: 3, 6, 12, 18, 25, 31, 37, or 44 CA: LOS, OOF, RXAIS, or RXYELLOW	
	DSU: Primary or Secondary		
	Supervisory	Mode: Modem or Direct Baud: 1.2, 2.4, 4.8, 9.6, or 19.2 kbps COA: On or Off Dial String Hangup String Init String	
	Map	M-Frame: 1 through 7	
	SLIP	Mode: Direct or Modem Baud: 1.2, 2.4, 4.8, 9.6, or 19.2 kbps Dial String Hangup String Init String Filter	1 through 4: IP Address
	SNMP	Read Community Write Community Trap System	1 through 6: IP Address
	Scrambler	On: 7 or 10 Off	
	Program: EPROM Administration	Password TOD UnitID Circuit Application	Name/Level Delete Change
	Audible		
	Datalink	EIC LIC FIC UIC Path-Message Idle-Message Test-Message Terminal	DTE Carrier
	Get: Net, DTE, Audible, Supervisory, SLIP, SNMP, Map, Status, Scrambler, Program, Administration, Datalink, or Far-Datalink		
	Reset: Alarms, Config, or Performance		
Query	Alarms Loop Performance: ESF, ES, SES, or SFE		
Test	Loop System	Local Remote: Set, Clear, Request, or End	DTE: Set or Clear Line: Set or Clear
	Reboot: Cold or Warm		