

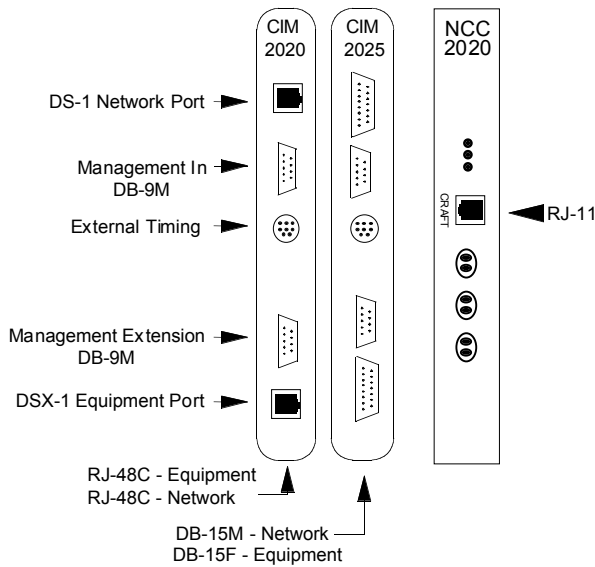


Access System 2000 Module Diagrams

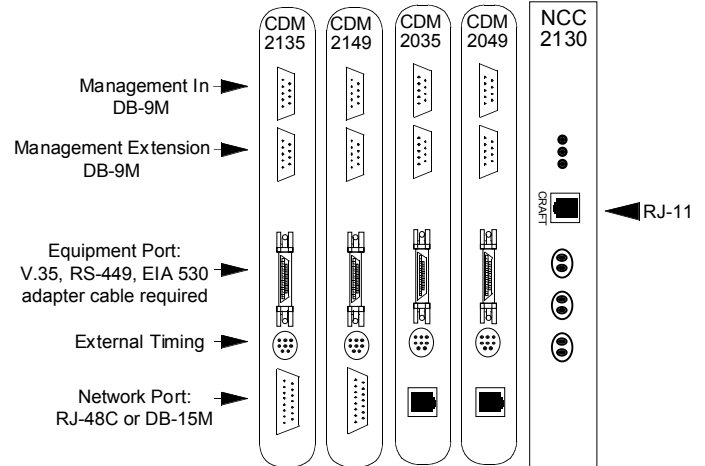
NCC, SCC Front and Rear Modules

SCC Modules have an embedded SNMP agent and can be managed by any standard SNMP Manager, such as HP OpenView, SunNet Manager, or NetView 6000. Both SCC and NCC Modules have a Craft port which provides local access for node configuration and management. Management In ports provide modem access for remote management. The SCC has a Management Extension port for management via Telnet.

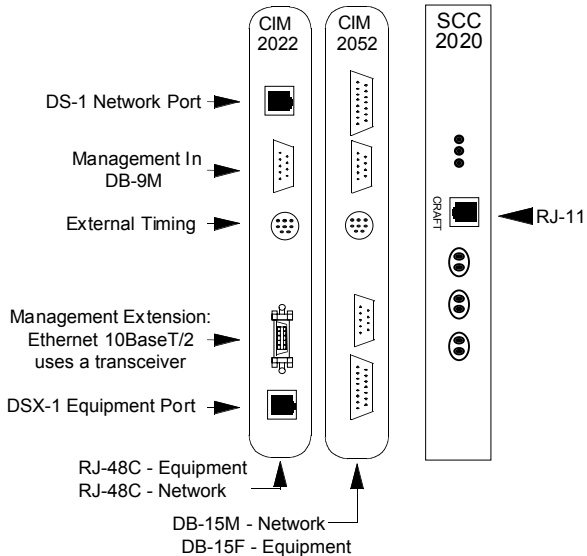
NCC 2020: Node Controller + CSU Module



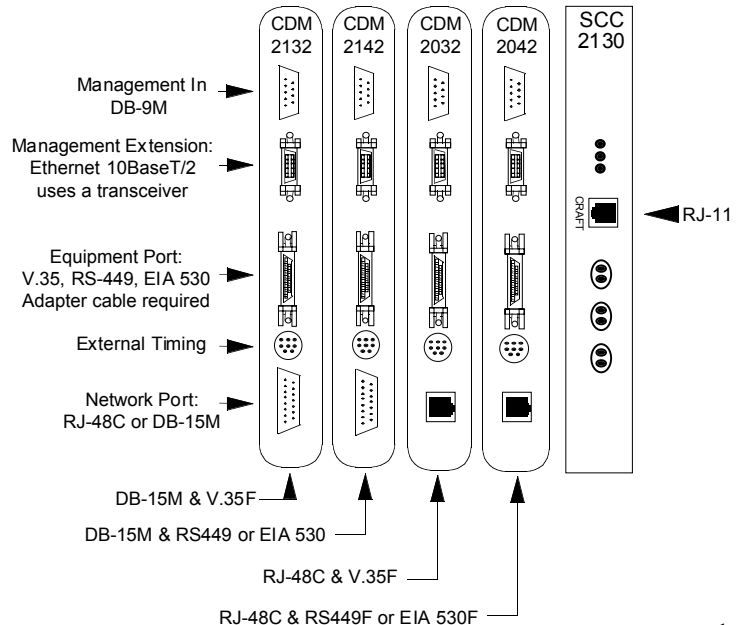
NCC 2130: Node Controller + DSU/CSU Module



SCC 2020: Node Controller + CSU Module



SCC 2130: Node Controller + DSU/CSU Module

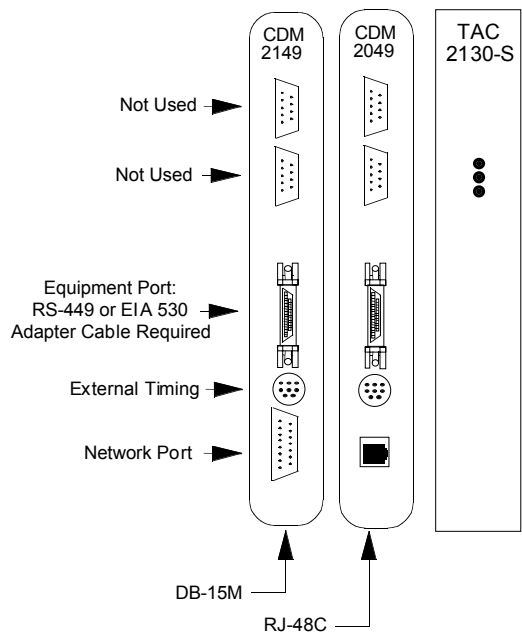




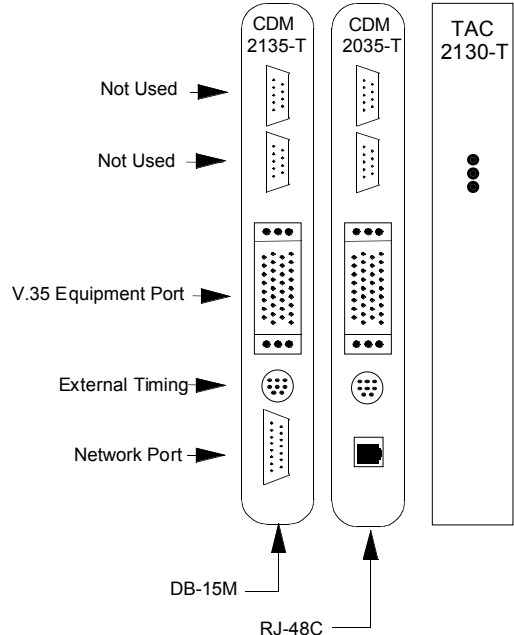
Access System 2000 Module Diagrams

TAC Front and Rear Modules

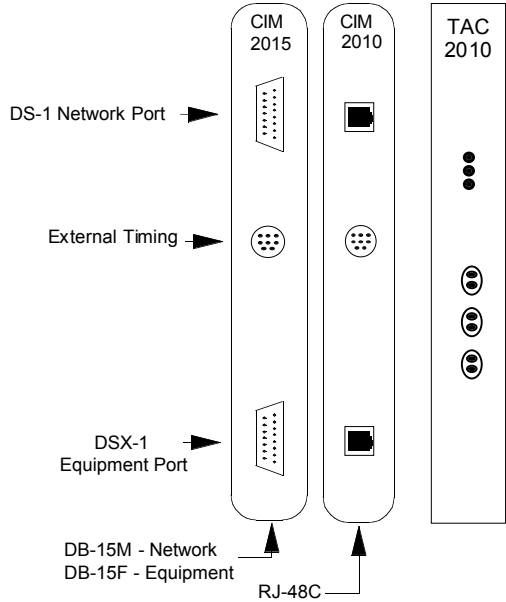
TAC 2130-S: Integrated DSU/CSU Module with 1 Data Port.



TAC 2130-T: Integrated DSU/CSU Module with 1 Data Port.



TAC 2010: CSU Module





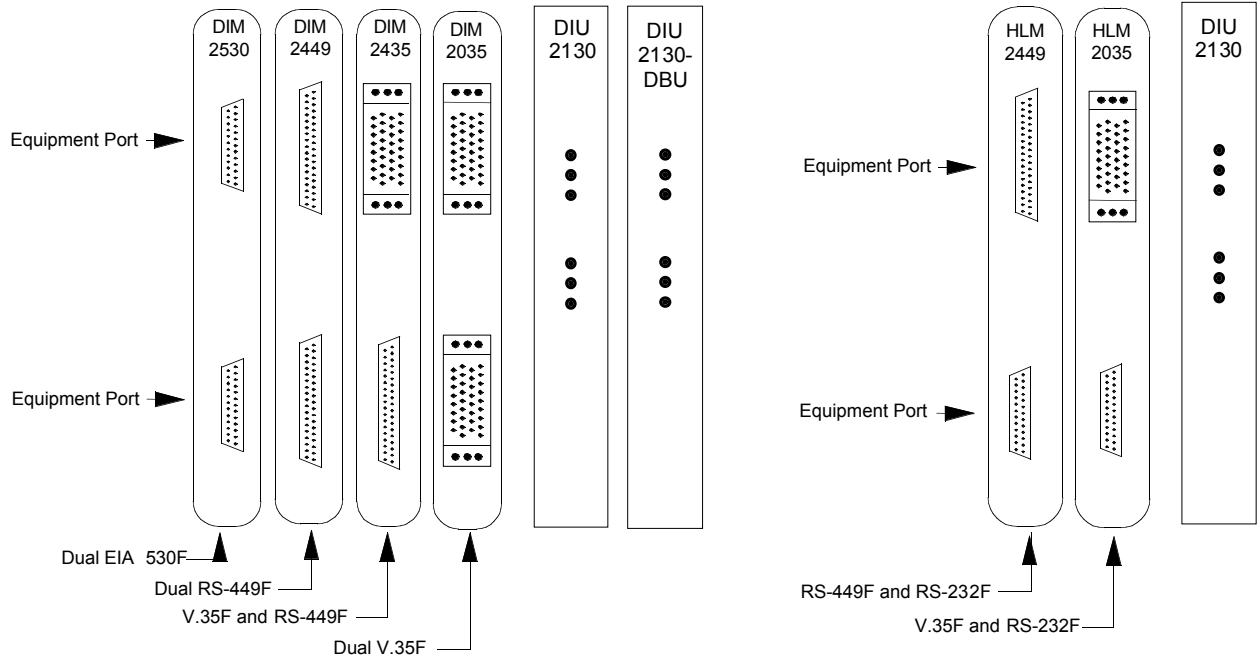
Access System 2000 Module Diagrams

DIU Front and Rear Modules

DIU 2130: Two-Port nx56/64K DSU Module or High-speed/Low-speed (sync and async) DSU Module.

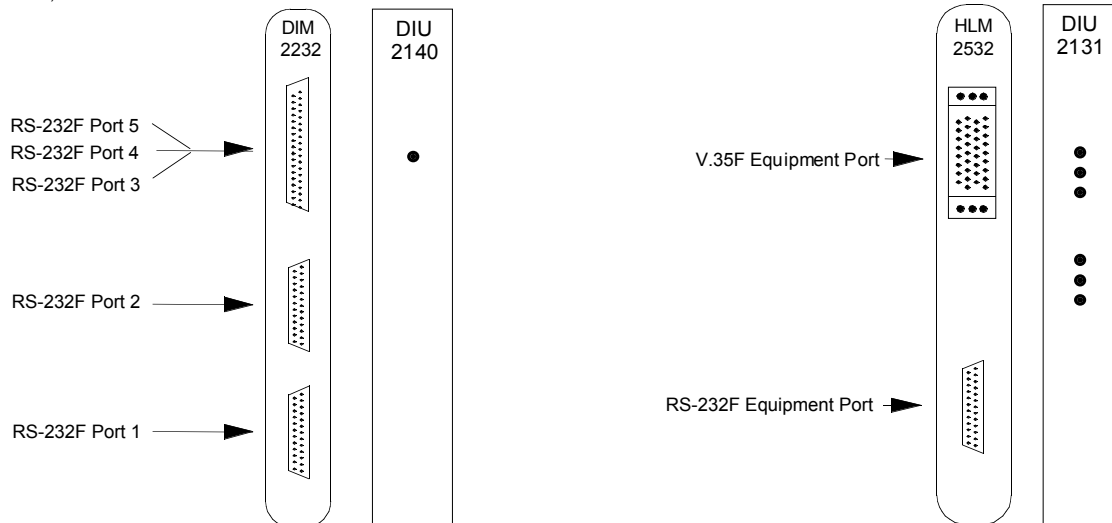
DIU 2130-DBU: Two-Port Dial Backup Module with one nx56/64K Data Port and one Dial Backup Port to connect to an ISDN TA or SW56 Service.

All DIU 2130s must be used with TAC 2010, SCC 2020, NCC 2020, DIDCSU, DPRI, or QPRI Modules.



DIU 2140: Five-Port RS-232 Subrate Multiplexer Module. Speeds from 1.2K to 19.2K per port. The DIU 2140 is DS0A- or DS0B- compatible. This unit WILL NOT support any tail-circuit timing. The DIU 2140 must be used with TAC 2010, NCC 2020, SCC 2020, or DIDCSU modules.

DIU 2131: Two-Port High-speed/Low-speed DSU Module. (sync only)

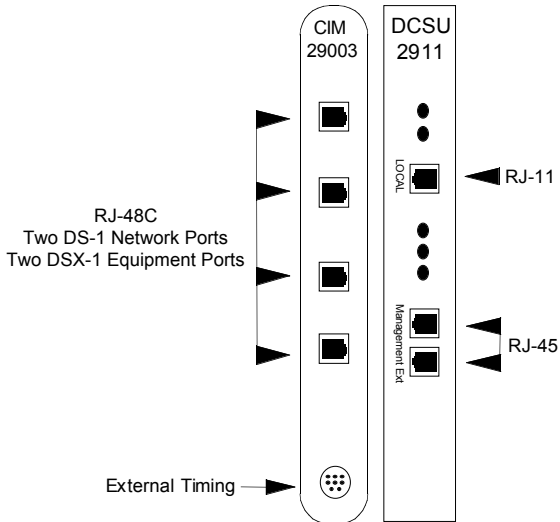




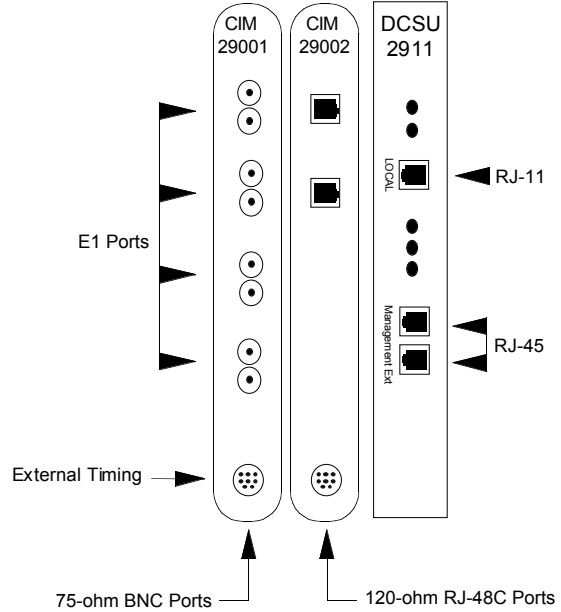
Access System 2000 Module Diagrams

DCSU, DIDCSU Front and Rear Modules

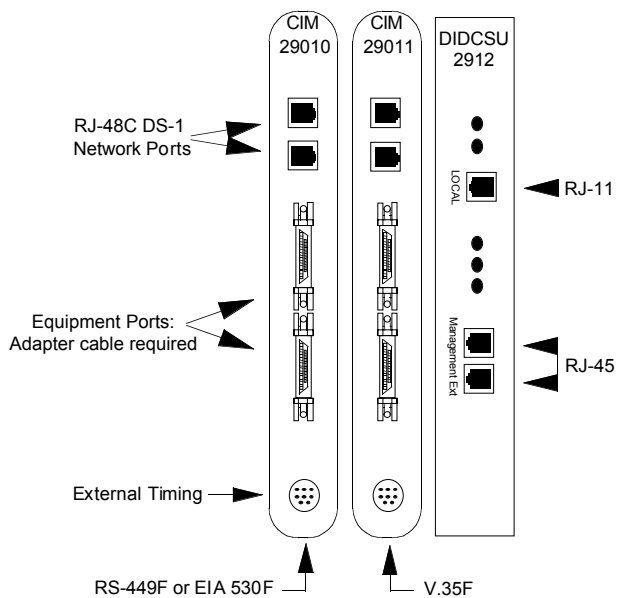
DCSU 2911: Dual-Port T1 CSU Module Set



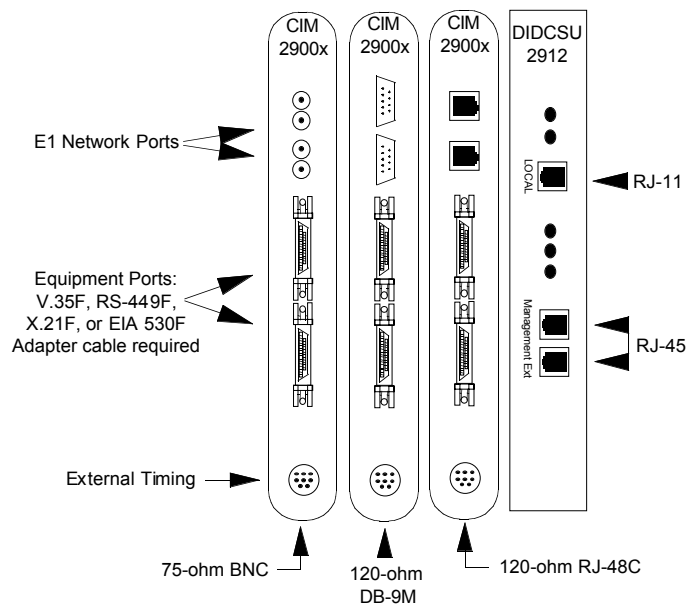
DCSU 2911: Dual-Port E1 NTU Module Set



DIDCSU 2912: Dual-Port T1 DSU/CSU Module Set



DIDCSU 2912: Dual-Port E1 NTU Module Set



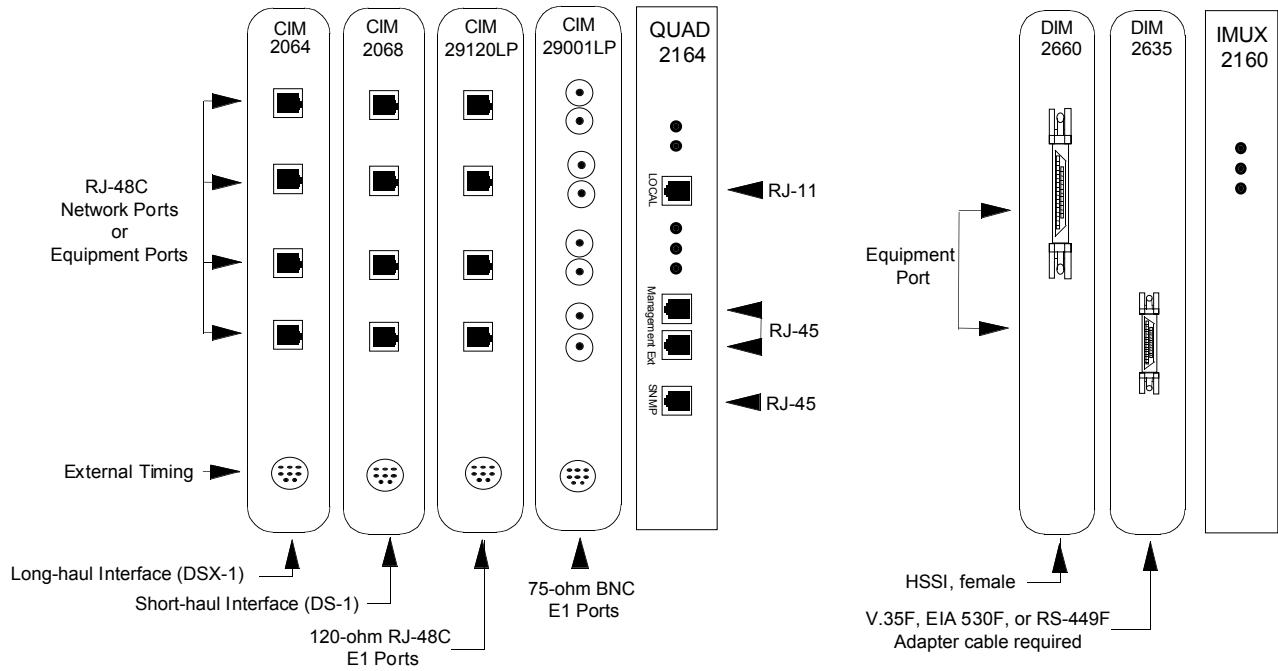


Access System 2000 Module Diagrams

IMUX, QUAD, PRI Front and Rear Modules

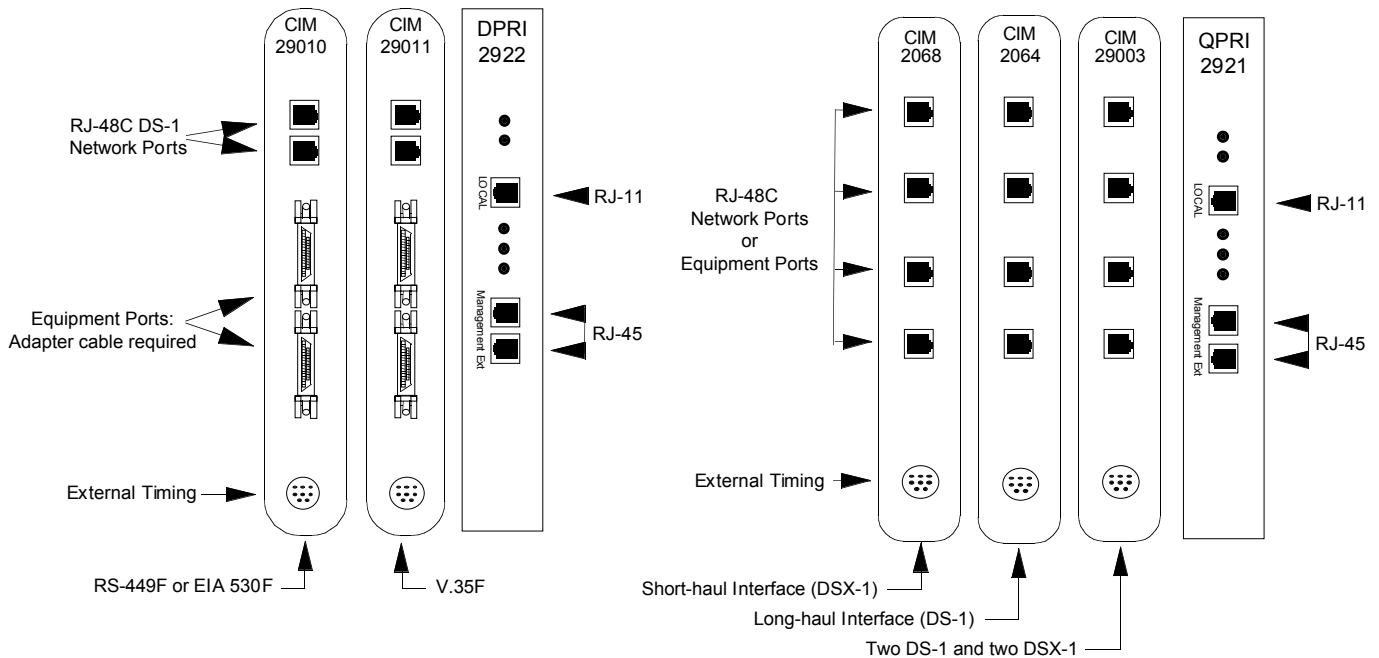
QUAD 2164: Used with the IMUX 2160 Module for support of $n \times T1/E1$ inverse multiplexing. One module supports up to 4 T1/E1s (6/8 Mbps). Two are required for support of up to 8 T1/E1s (12/16 Mbps).

IMUX 2160: Used with the QUAD 2164 Module for support of $n \times T1/E1$ inverse multiplexing.



DPRI 2922: Dual-Port ISDN PRI Module Set. Ports can be configured as T1 and/or PRI.

QPRI 2921: Four-Port ISDN PRI Module Set. Ports can be configured as T1 (data only) and/or PRI.

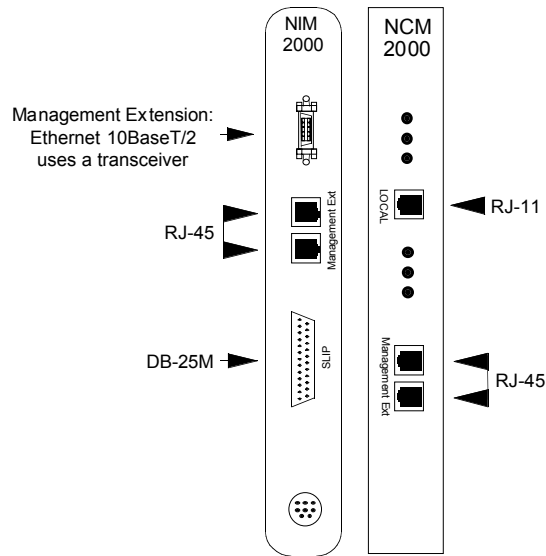




Access System 2000 Module Diagrams

NCM, DS-3 Front and Rear Modules

NCM 2000: Controller Module for all AS2000 Modules. It has embedded SNMP agents and can be managed by any standard SNMP Manager, such as HP OpenView, SunNet Manager, or NetView 6000. It also has a Craft port for local node configuration and management, a SLIP port for remote management via modem, and RJ-45 ports for management via Telnet.



HDM 2180: Non-channelized DS-3 DSU Module with 1 HSSI Port and 1 DS-3 Port.

HDM 2182: Non-channelized DS-3 DSU Module with 2 HSSI Ports and 1 DS-3 Port.

